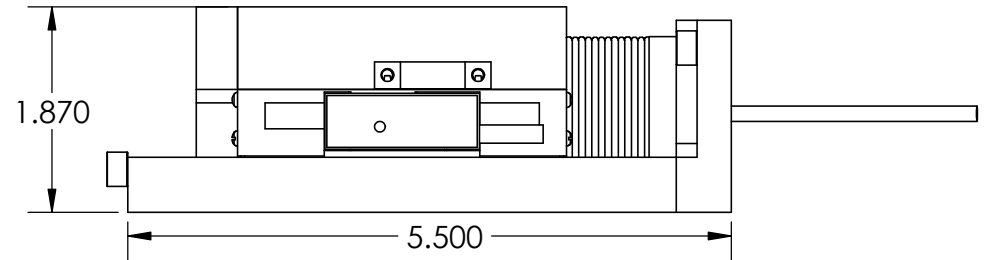
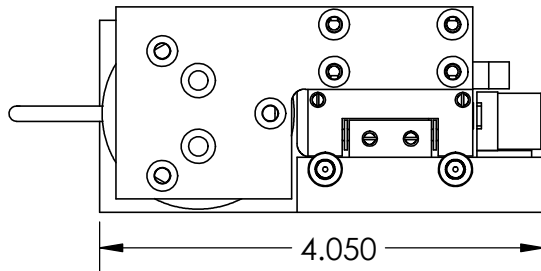
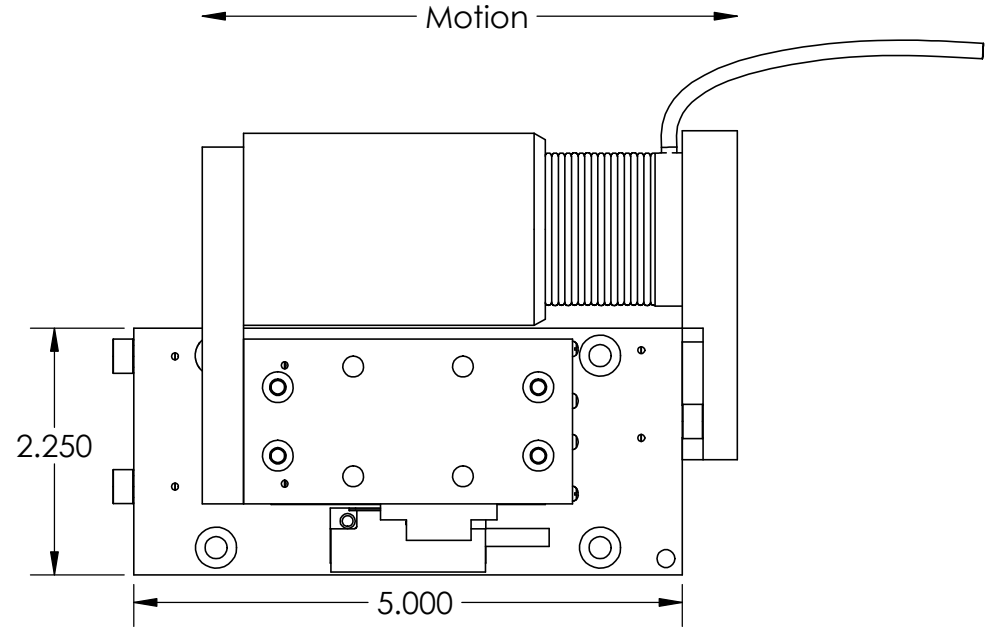


These drawings and specifications are the property of H2W Technologies, Inc. They are issued in confidence and shall not be reproduced, copied, or used without written permission from H2W Technologies, Inc. (www.h2wtech.com)

REVISION TABLE					
REV	ECN#	DESCRIPTION	REV BY	APPROVED	DATE
---	---	Original Drawing	OOG	MPW	3-10-15



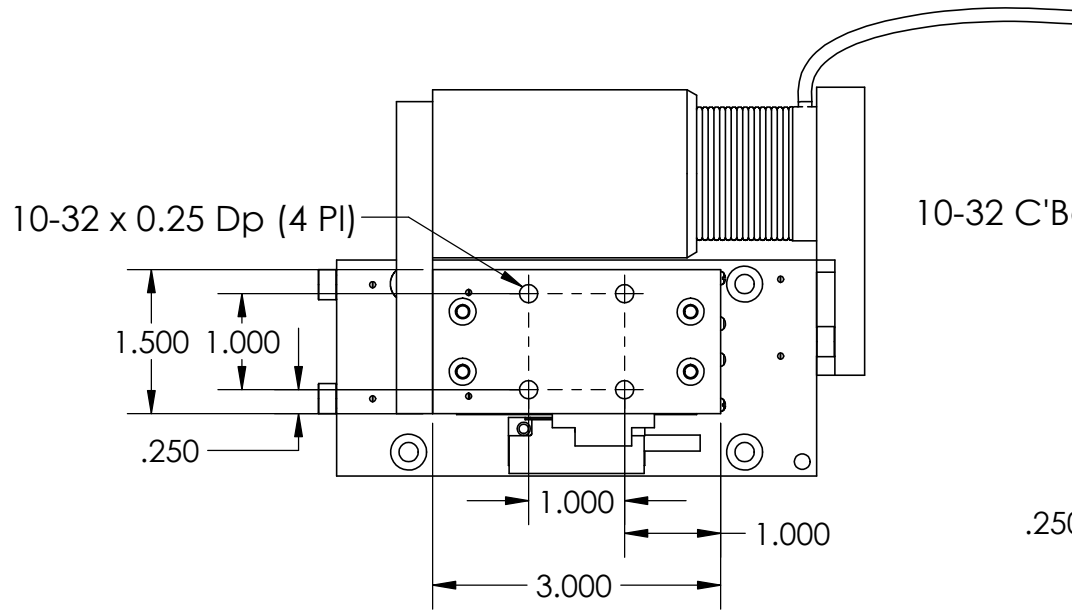
MOTOR SHOWN AT MID-STROKE



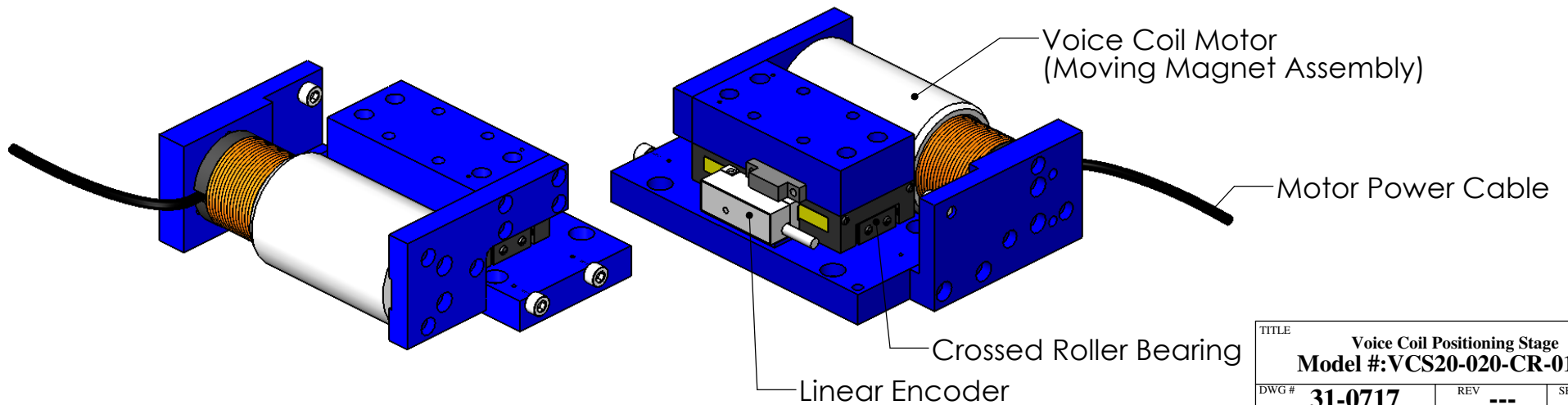
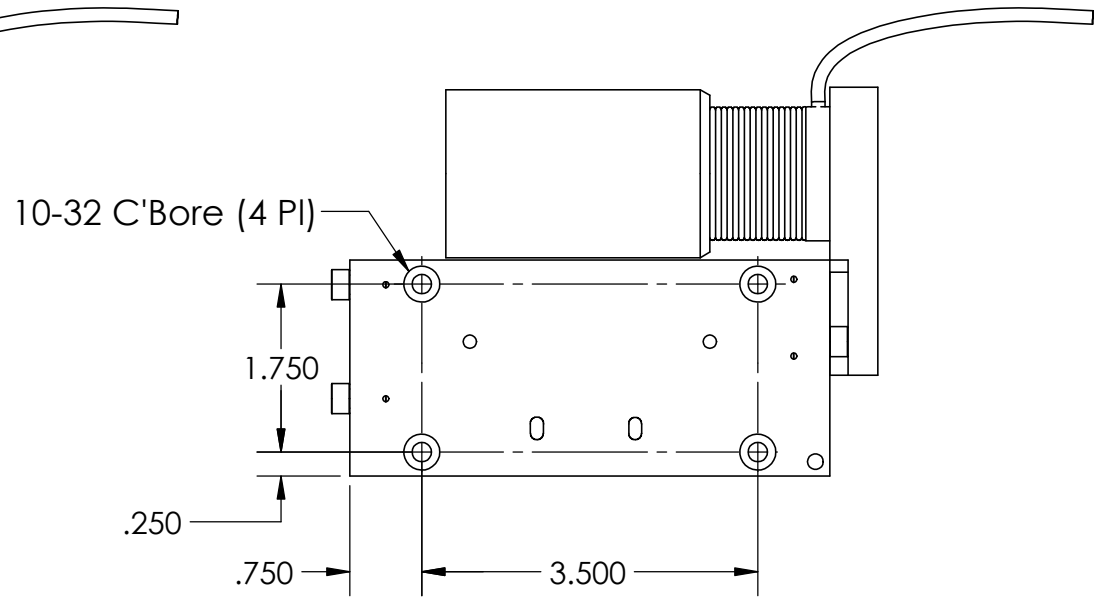
H2W Technologies, Inc.
 26380 Ferry Court Santa Clarita, CA 91350 USA
 Tel: (661) 291-1620 Fax: (661) 291-1626
 www.h2wtech.com

UNLESS SPECIFIED OTHERWISE: All dimensions are in inches Standard Tolerances are as follows .XXX ±.005 ANGLES ±1° .XX ±.010 FILLETS .010 .X ±.020 CORNERS .010 Remove All Burs and Sharp Edges				MATERIAL		TITLE		SHEET	
				FINISH		Voice Coil Positioning Stage Model #: VCS20-020-CR-01-SV		1 of 3	
DRAWN	DATE	APPROVED	DATE	DWG #	REV				
OOG	3-10-15	MPW	3-10-15	31-0717	---				

PAYLOAD MOUNTING HOLES



PARTS HAVE BEEN HIDDEN TO SHOW STAGE MOUNTING HOLES



TITLE	Voice Coil Positioning Stage	
	Model #: VCS20-020-CR-01-SV	
DWG #	31-0717	REV ---
		SHEET 2 of 3

VOICE COIL POSITIONING STAGE SPECIFICATIONS		
Motor P/N	NCC20-18-020-1A	
Stroke	2.00"	50.8 mm
Encoder Resolution	1 micron	
Encoder Type	Optical	
Bearing Type	Crossed Roller	
Moving Part	Magnet Assembly	
Moving Mass	1.90 lbs	0.86 kg
Total Mass	3.75 lbs	1.70 kg
Resistance @ 20C	3.50 ohms	
Inductance @ 20C	3.70 mH	
Electrical Time Constant	1.05 msec	
Motor Constant	0.75 LBS/SQRT(Watt)	3.34 N/SQRT(Watt)
Force Constant	1.4 lbs/Amp	6.1 N/Amp
Back EMF	0.2 V/ips	6.1 V/m/sec
Force @ 100% Duty	2.0 lbs	8.9 N
Power @ 100% Duty	7 watts	
Current @ 100% Duty	1.4 Amps	
Force @ 10% Duty	6.0 lbs	26.7 N
Power @ 10% Duty	64 watts	
Current @ 10% Duty	4.3 Amps	

Note: Stage uses vacuum compatible components